

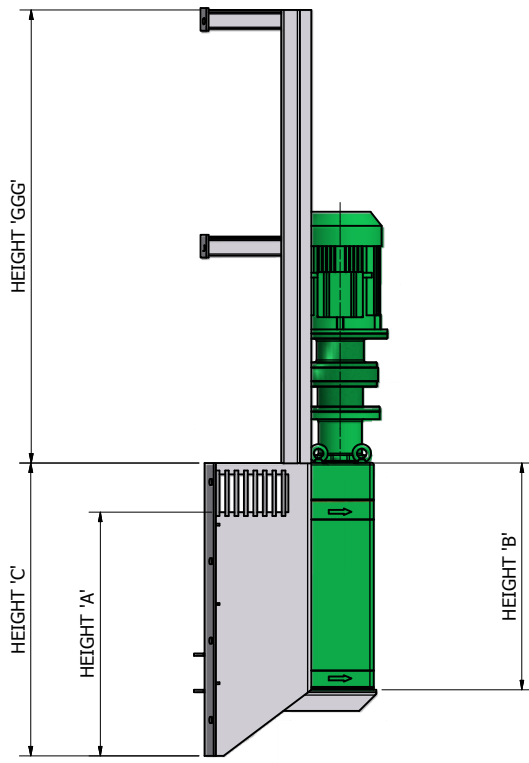
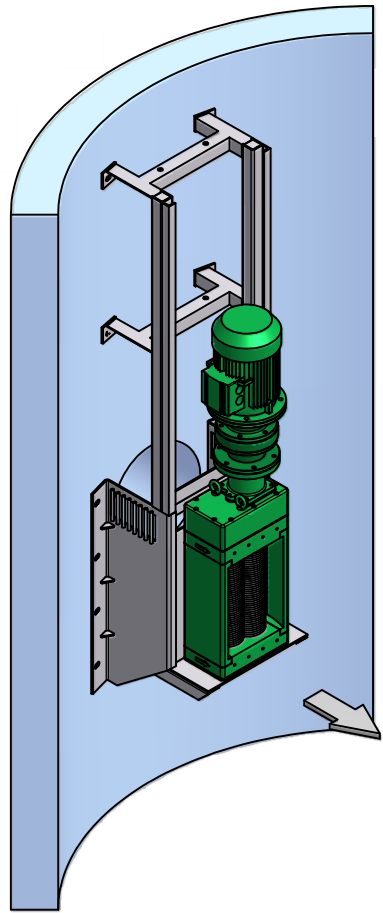
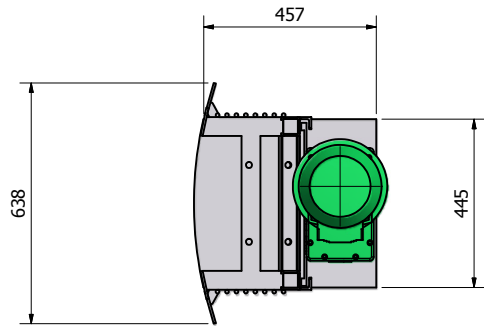
REVISION HISTORY			
REV	DESCRIPTION	DATE	BY
1	ORIGINAL	02/02/2010	DB

XX - GRINDER MODEL DESIGNATION
 ZZ - MATERIAL
 DDD - WELL DIAMETER
 GGG - GUIDE RAIL HEIGHT

EXAMPLE: 32598R-0012-2500-1800-SS INDICATES:
 32598R - ROUND WALL FRAME WITH GUIDE RAILS
 0012 - 'XX' MODEL 30005-0012
 2500 - 'GGG' GUIDE RAIL HEIGHT
 1800 - 'DDD' WELL DIAMETER
 SS - 'ZZ' MATERIAL 304 STAINLESS STEEL

NOTES UNLESS OTHERWISE SPECIFIED:

1. ANCHOR BOLTS, M12 x 100, ARE PROVIDED BY OTHERS.
2. SEE SPECIFIC GRINDER DRAWING FOR DETAILS AND DIMENSIONS.
3. MAX. SINGLE GUIDE RAIL LENGTH IS 2000mm
 MIN. SINGLE GUIDE RAIL LENGTH IS 300mm
 FOR HEIGHTS GREATER THAN 2000mm MULTIPLE RAILS CAN BE ASSEMBLED TOGETHER



FRAME SIZES TABLE			
MODEL	OVERFLOW HEIGHT 'A'	TRAY HEIGHT 'B'	TOTAL HEIGHT 'C'
32598R-0008	527	495	679
32598R-0012	632	600	784
32598R-0018	781	749	933
32598R-0024	927	895	1080
32598R-0032	1124	1092	1276
32598R-0040	1327	1295	1480

PARTS LIST			
ITEM	QUANTITY	PART NUMBER	DESCRIPTION
1	1	32538R-00XX-DDD-ZZ	ROUND WALL MOUNTING FRAME
2	METRES	32598R-GGG-DDD-ZZ	ROUND WALL GUIDE PLATE
3	1	32523-00XX-ZZ	GUIDE PLATE

UNCONTROLLED COPY

DO NOT SCALE DRAWING	UNLESS OTHERWISE SPECIFIED DIMENSIONS ARE IN INCHES TOLERANCES ARE: FRACTIONS DECIMALS ANGLES ±1/16 ±0.05 ±1° ±.005 ±.01 ±.01	DRAWN BY: dennisb	DATE: 02/02/2010	CHECKED:	APPROVED BY: davidn	APPROVED DATE:
<small>THIS DRAWING AND DATA ARE FULLY PROTECTED BY COPYRIGHT OWNED BY JWC ENVIRONMENTAL. THIS DRAWING AND DATA EMBODY PROPRIETARY INFORMATION WHICH IS THE CONFIDENTIAL PROPERTY OF JWC ENVIRONMENTAL. AND WHICH SHALL NOT BE COPIED, REPRODUCED, DISCLOSED TO OTHERS, OR USED IN WHOLE OR IN PART FOR ANY PURPOSE WITHOUT THE EXPRESS WRITTEN PERMISSION OF JWC.E. THIS DRAWING IS LOANED IN CONFIDENCE WITH THE UNDERSTANDING IT SHALL BE RETURNED ON DEMAND.</small>				DESCRIPTION: ROUND WALL FRAME/GUIDE RAIL INSTALLATION MUFFIN MONSTER 3000S Ø16" (406mm) MAX. INLET PIPE DRAWING No: 32598R - CD ISSUE: 1 SHEET: 1 / 1		
MATERIAL:		FINISH:		JWC International, Unit 15, Daneside Business Park, River Dane Road, Congleton, Cheshire. CW12 1UN. UK		