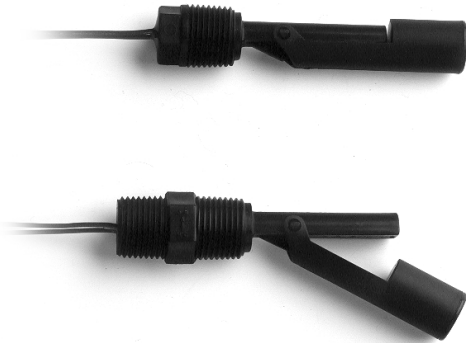
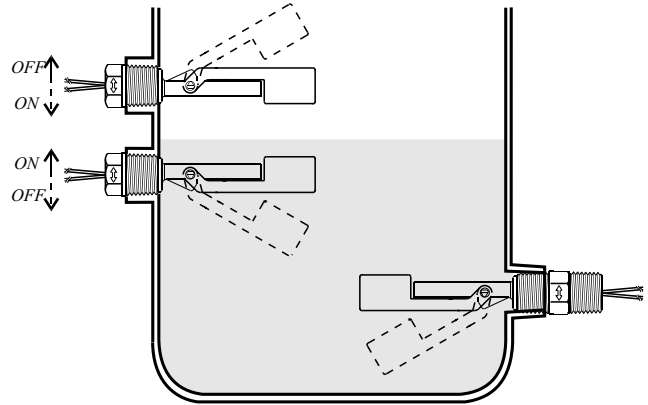


# PLASTIC OH TYPES

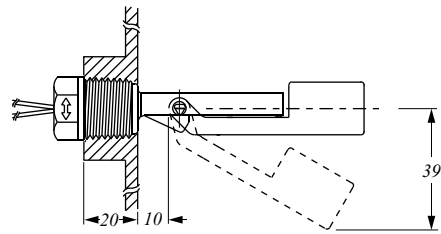
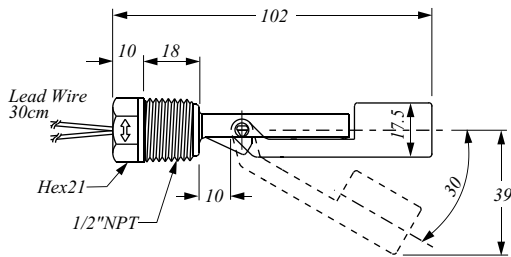
## ► RF-OH4 / OH5



### Installation / N.C. / N.O. Action Position

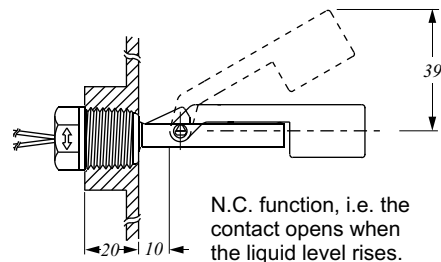
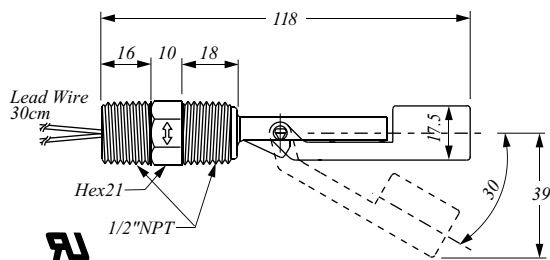


#### RF-OH41



N.O. function, i.e. the contact closes when the liquid level rises.

#### RF-OH51



N.C. function, i.e. the contact opens when the liquid level rises.

## SPECIFICATIONS

Type	Material	Switching Capacity Max.	Switching Voltage Max.	Switching Current Max.	Lead Wire	Max. Pressure	Operating Temp.	Suitable Sp. Gr.	Weight
RF-OH41D	PP	50W/SPST	240VAC	0.5A	XLPE	4 kg/cm <sup>2</sup>	-20~80 C	0.65	20g
RF-OH51D			200VDC		22AWG				25g

# PLASTIC OH TYPES

## ► RF-OH2 / OH3



For models RF-OH2 and OH3, three different types of material are available PP, Nylon, and PVDF.

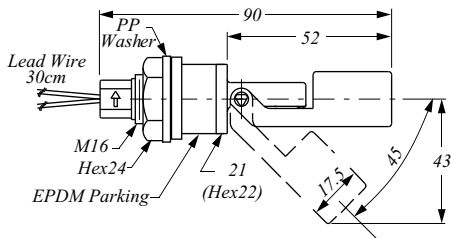
The special lead wire or cable can be supplied according to the requirement of the customer.

The customer can select the type of reed switch which they require.

For specifications of the standard design see catalog (page 8).

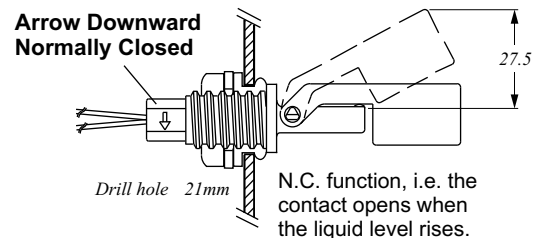
OEM customers are welcome.

### Standard RF-OH21DO(Round) RF-OH21DD(Hexagon)

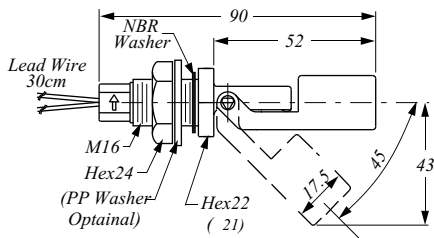


### Installation / N.C. / N.O. Action Position

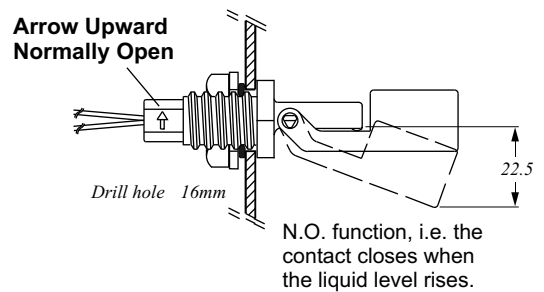
#### [ External mounting ]



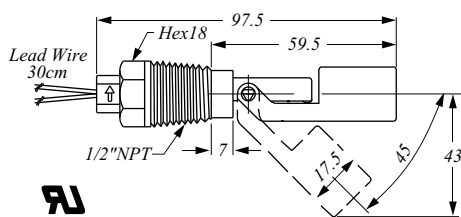
### Optional RF-OH21DD/DO



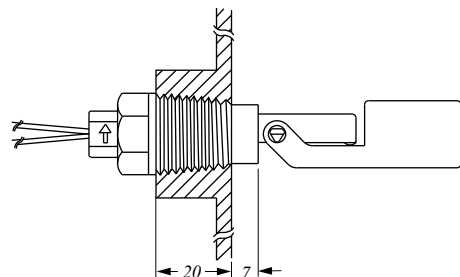
#### [ Internal mounting ]



### RF-OH31

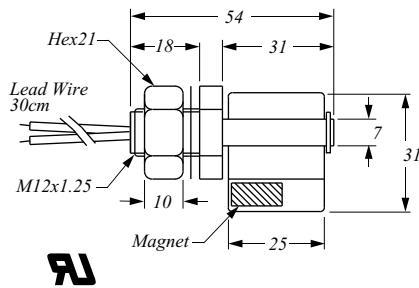
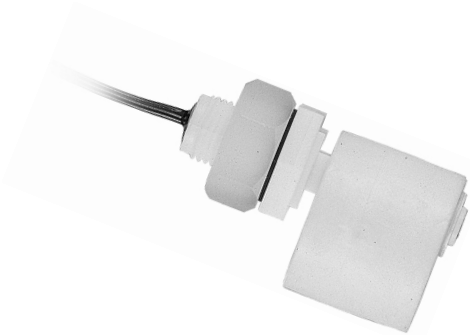


#### [ External mounting ]

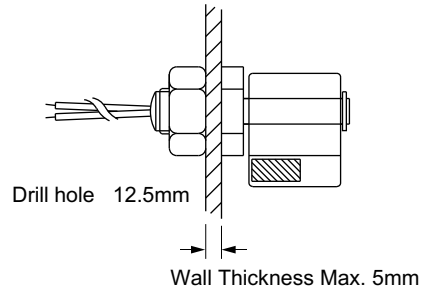


# PLASTIC OH TYPES

## ► RF-OH1

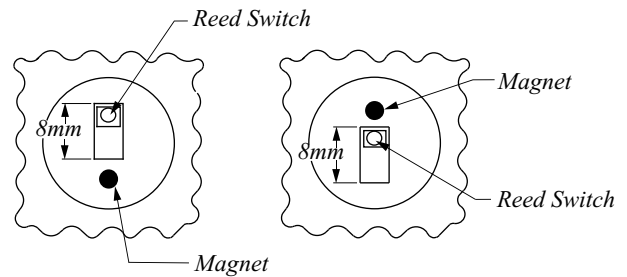


## Installation / N.C. / N.O. Action Position



Normally open  
N.O.

Normally closed  
N.C.



All the products in this range come with the UL E161587 approval.

All the products in this range are designed to be mounted on the side.

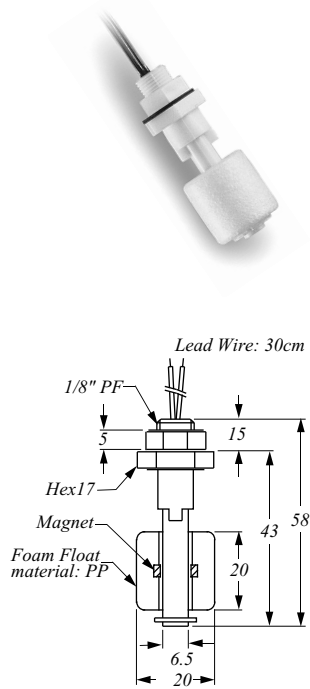
For the specific gravity of water is used as a reference point in calculating specific gravity.

## SPECIFICATIONS

Description	Type	RF-OH11D	RF-OH21D RF-OH31D	RF-OH23D RF-OH33D	RF-OH24D RF-OH34D
Switching Capacity Max.		50W			
Switching Voltage Max.		240VAC / 200VDC			
Switching Current Max. (A)		0.5A			
Carry Current Max. (A)		1A			
Lead Wire		PVC AWG22	XLPE AWG22		
Max. Pressure (Kg/cm <sup>2</sup> )		ATM	4	2	
Operating Temperature		-20~80 C		-20~120 C	
Material		PP		PVDF	Nylon
Suitable Specific Gravity		0.78	0.75	0.85	0.8
Weight		25 g	OH2: 22 g OH3: 21 g	25 g	23 g

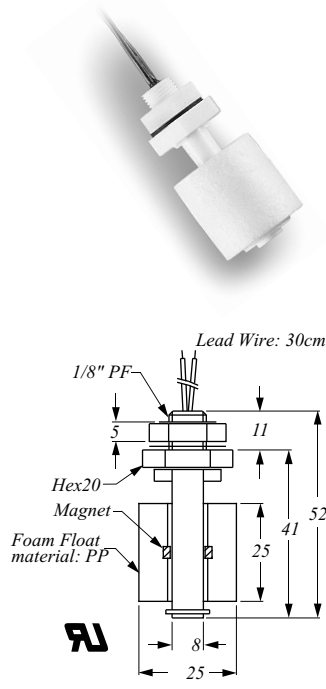
# PLASTIC OV TYPES

## ▶ RF-OV11



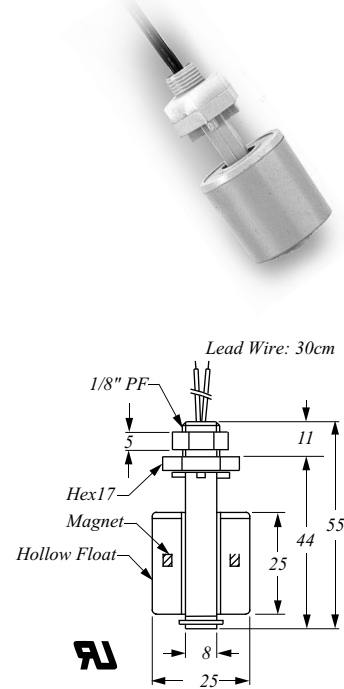
Drill hole 10mm

## ▶ RF-OV21



Drill hole 10mm

## ▶ RF-OV31, 33, 34



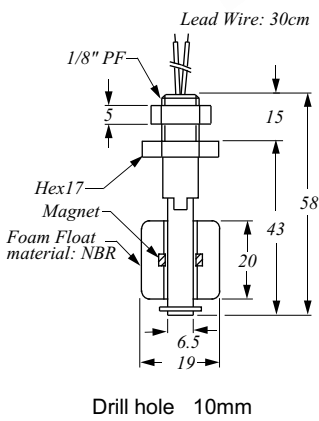
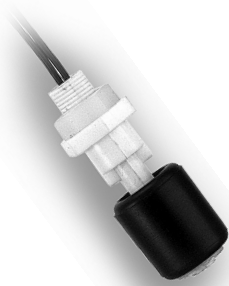
Drill hole 10mm

## SPECIFICATIONS

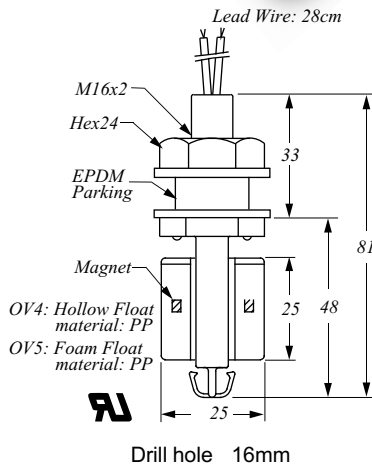
Description \ Type	RF-OV11F	RF-OV21D	RF-OV31D	RF-OV33D	RF-OV34D
Switching Capacity Max.	10W SPST	50W SPST	50W SPST	50W SPST	
Switching Voltage Max.	125VAC Break Down 250VAC	240VAC / 200VDC	240VAC / 200VDC		
Switching Current Max. (A)	0.5A		0.5A		
Carry Current Max. (A)	1A		1A		
Lead Wire	UL 1007 AWG22 PVC		UL 1007 AWG22 PVC	XLPE AWG22	
Reversible Switch Action	YES		YES		
Max. Pressure (Kg/cm <sup>2</sup> )	ATM		4 kg/cm <sup>2</sup>	2 kg/cm <sup>2</sup>	
Operating Temperature	-20~80 C		-20~80 C	-20~120 C	-20~110 C
Material	PP		PP	PVDF	Nylon
Suitable Specific Gravity	0.8		0.7	0.85	0.8
Weight (g)	12 g	18 g	15 g		

# PLASTIC OV TYPES

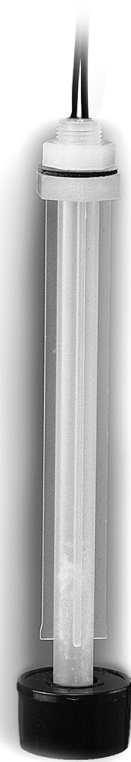
▶ RF-OV12



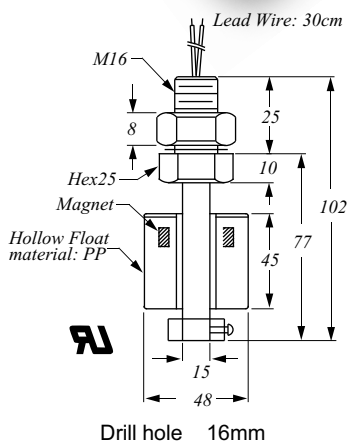
▶ RF-OV41, 51



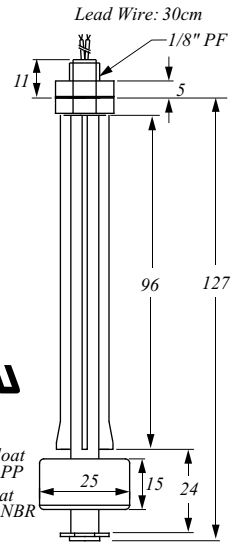
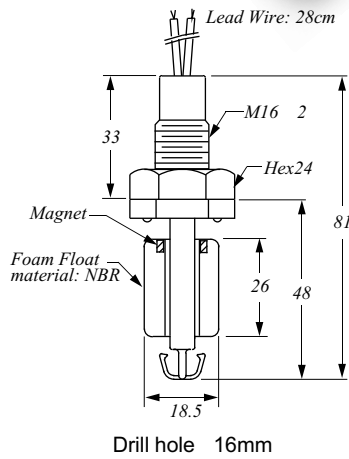
▶ RF-OV61, OV72



▶ RF-OV81



▶ RF-OV92



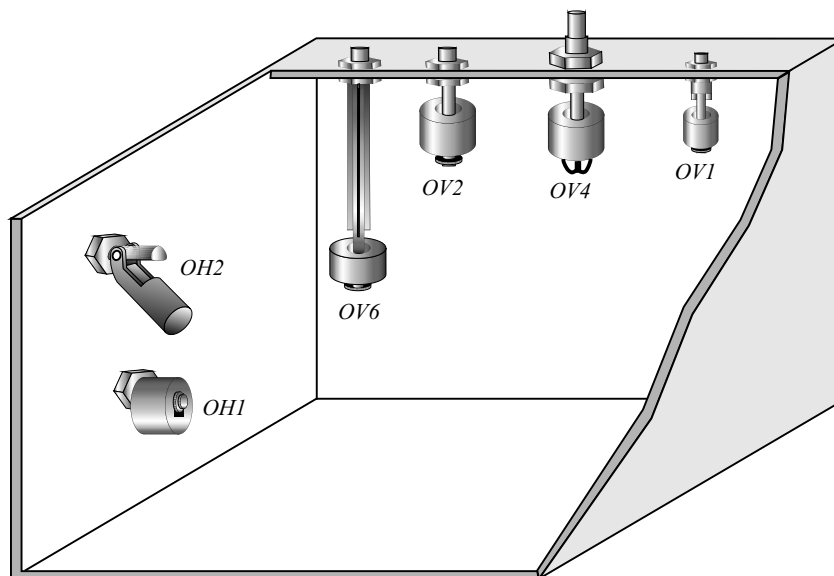
OV6: Hollow Float material: PP  
OV7: Foam Float material: NBR

# PLASTIC OV TYPES

## SPECIFICATIONS

Description \ Type	RF-OV12F	RF-OV61F RF-OV72F	RF-OV41D RF-OV51D	RF-OV81D	RF-OV92D
Switching Capacity Max.	10W SPST		50W SPST		
Switching Voltage Max.	125VAC (Break Down 250VAC)		240VAC / 200VDC		
Switching Current Max. (A)	0.5A				
Carry Current Max. (A)	1A				
Lead Wire	XLPE AWG22	UL 1007 AWG22 PVC			XLPE AWG22
Reversible Switch Action	NO	NO	YES	NO	NO
Max. Pressure (kg/cm <sup>2</sup> )	2 kg/cm <sup>2</sup>	OV-6: 4kg/cm <sup>2</sup> OV-7: ATM	OV-4: 4kg/cm <sup>2</sup> OV-5: ATM	4 kg/cm <sup>2</sup>	ATM
Operating Temperature	-20 ~100 C	-20~80 C			-20 ~100 C
Material	PP (except OV-12, OV-72, OV-92: NBR float)				
Suitable Specific Gravity	0.8	0.7 ~ 0.8		0.6	0.8
Weight (g)	12 g	19 g	32 g	180 g	

## TYPICAL APPLICATION



# ORDER INFORMATION

RF- **OV2** **1** **D** **A** **03** **P**

**Type** \_\_\_\_\_

**OV1~OV9** (Top or bottom Mounting)  
**OH1~OH5** (Side Mounting )

**Material of Wetted parts** \_\_\_\_\_

**1** : PP  
**2** : NBR (only float)  
**3** : PVDF  
**4** : Nylon

**Switching Capacity Max.** \_\_\_\_\_

**D**: 50W 200VDC/240VAC SPST  
**F**: 10W 125VAC SPST  
**H**: 3W 30VAC/60VDC SPDT  
**K**: 20W 150VAC/200VDC SPDT

**Contact Form** \_\_\_\_\_

**A**: Normally Open (N.O.) SPST  
**B**: Normally Close (N.C.) SPST  
**C**: 1AB SPDT  
**D**: NC Reversible  
**E**: NO Reversible

**Lead wire Length (L: unit=10cm)** \_\_\_\_\_

**03**: 30cm (Standard length) ※except of (RF OV4, OV5 & OV9 standard by 28cm)  
**05**: 50cm  
**10**: 100cm (1 Meter)  
**15**: 150cm

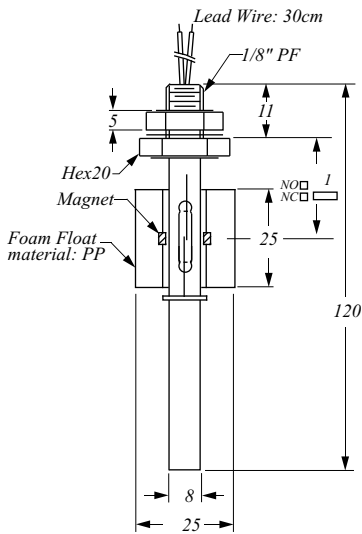
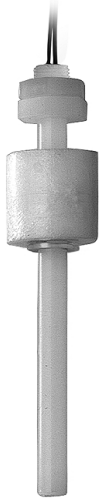
**Material of Lead wire** \_\_\_\_\_

**C**: PVC cable (80 C) ---- AWG22 x2C x 4  
**D**: XLPVC (105 C) ---- AWG22  
**F**: SILICON cable (200 C) ---- AWG24 x2C x 4  
**P**: PVC (80 C) ---- AWG22  
**S**: SILICON (200 C) ---- AWG22  
**T**: TEFLON (200 C) ---- AWG24  
**X**: XLPE (125 C) ---- AWG22

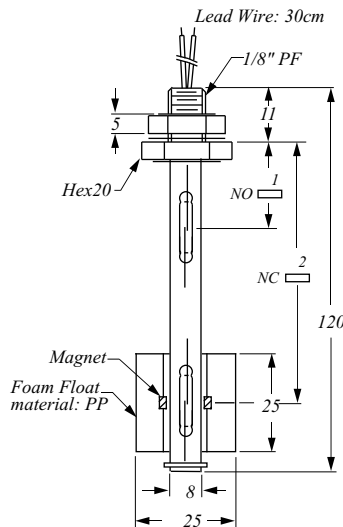
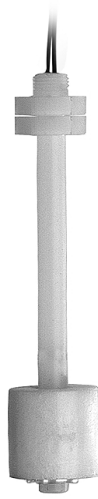
※"A" (Normal Open) contact form is our standard specified switch activation, others contact form and target lead wire length subject to above data, except of above, please refer page 6, 8, 9 and 11.

# PLASTIC SPECIAL TYPES

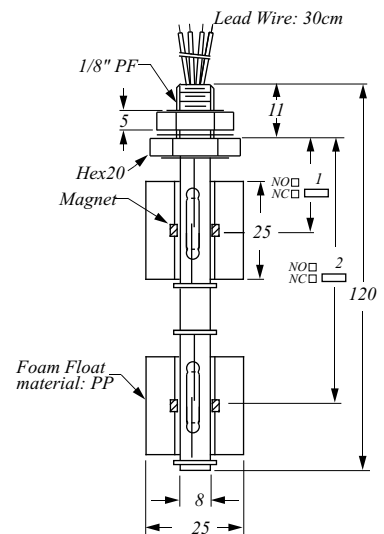
▶ RF-PV1



▶ RF-PV2



▶ RF-PV3



NOTE: Float material can be optional.

Above items are done by custom-built when the standard specification is unable to be coped with their unique demand. There are with below special benefits:

RF-PV1 One float for one level activation switch location by custom-order.

RF-PV2 One float with 2 reed switches, applicable for high / low two level activation, especial design by one float to drive two contacts activation.

RF-PV3 Two floats drive with two independent reed switches, the compared difference with RF-PV2 base on below character : Each one float unit can be performed by N.O. or N.C. level activation as per customer's option.



# ORDER INFORMATION

---

RF- **P** **V** **1** **2** **D** **A** **0** **5** **P**

**Type** \_\_\_\_\_

**PV1** (Vertical Mounting, Single Float Single Switch)

**PV2** (Vertical Mounting, Single Float Dual Switch)

**PV3** (Vertical Mounting, Dual Float Dual Switch)

**Material of Wetted parts** \_\_\_\_\_

**1** : PP; Lead wire---PVC---Temp. 80 C

**2** : NBR (only float); Lead wire---PVC---Temp. 60 C  
Lead wire---XLPE---Temp. 100 C

**3** : PVDF; Lead wire---XLPE---Temp. 125 C

**4** : Nylon; Lead wire---XLPE---Temp. 125 C

**Switching Capacity Max.** \_\_\_\_\_

**D**: 50W 200VDC/240VAC SPST

**F**: 10W 125VAC SPST

**H**: 3W 30VAC/60VDC SPDT

**K**: 20W 150VAC/200VDC SPDT

**Contact Form** \_\_\_\_\_

**A**: Normally Open (N.O.) SPST

**B**: Normally Close (N.C.) SPST

**Lead wire Length** (L: Unit=10cm) \_\_\_\_\_

**03**: 30cm ( Standard length)

**05**: 50cm

**15**: 150cm

**20**: 200cm

**Material of Lead wire** \_\_\_\_\_

**P**: PVC ---- 80 C

**X**: XLPE ---- 125 C